

LED LIGHT INSTRUCTION

37611

ATTENTION: Please read the following instructions carefully to ensure that mounting operation will be carried out in the right way. These instructions should be properly preserved for future reference.

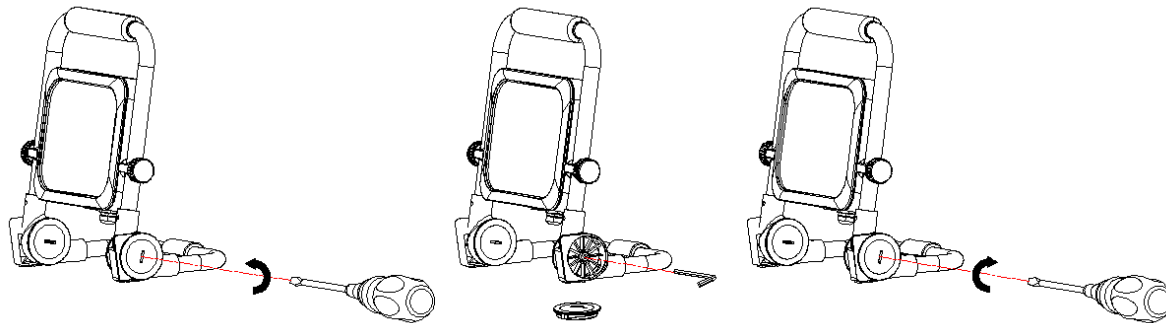
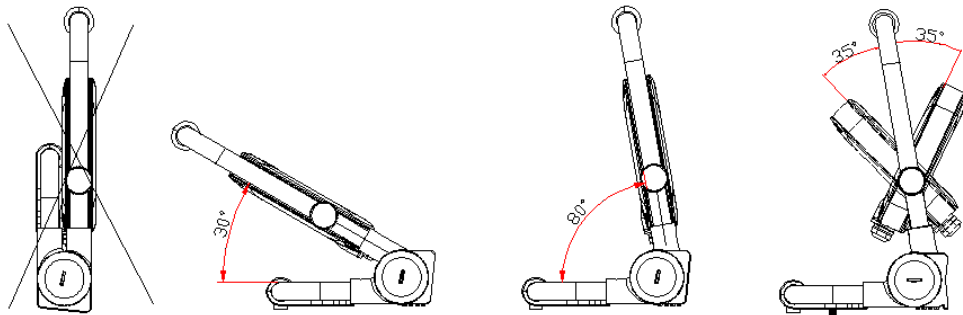
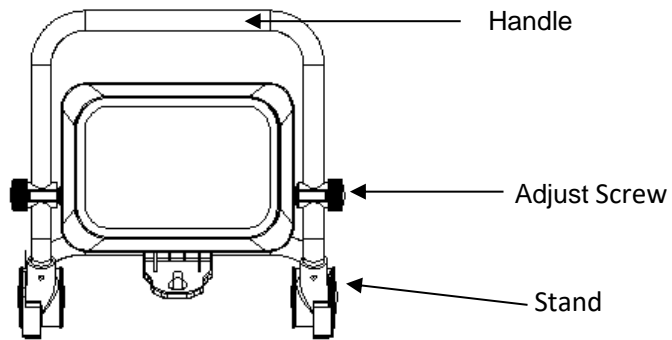
I. MAIN CONSTRUCTION DATA



Type	Rated Power	Supply Current	Power factor	Tempered Glass	Weight	Maximum projected area	Dimensions (H*W*D)	Remark
LN3271P	10W	Max.0.06A	> 0.7	124.2*90.2*4mm	0.91Kg	452.4cm ²	217*208.5*217mm	Electric shock protection class: I
LN3271P-1	10W	Max.0.06A	> 0.7	124.2*90.2*4mm	0.91Kg	452.4cm ²	217*208.5*217mm	
LN3272P	20W	Max.0.12A	> 0.7	177.7*127.7*4mm	1.39Kg	694.3cm ²	263.5*263.5*148.5mm	External light protection class: IP54
LN3272P-1	20W	Max.0.12A	> 0.7	177.7*127.7*4mm	1.39Kg	694.3cm ²	263.5*263.5*148.5mm	
LN3273P	30W	Max.0.13A	> 0.9	201.6*146.6*4mm	1.64Kg	825.1cm ²	286*288.5*163.5mm	Lamp socket size:LED Rated voltage: 220-240V~ 50/60Hz
LN3273P-1	30W	Max.0.13A	> 0.9	201.6*146.6*4mm	1.64Kg	825.1cm ²	286*288.5*163.5mm	
LN3275P	50W	Max.0.22A	> 0.9	250.8*185.8*4mm	2.37Kg	1118.7cm ²	330.5*338.5*188.5mm	

II. BEZPEČNOSTNÍ POKYNY

1. Before mounting and maintenance please make sure that the electrical supply has been switched off to avoid electric shock.
2. The lamp must be earthed.
3. The power cord must be VDE-certified H07RN-F 3x1.0mm² waterproof cable.
4. Replace any cracked protective shield
5. The external flexible cable or cord of this luminaire cannot be replaced; if the cord is damaged, the luminaire shall be destroyed.
6. Check if the stand is stable and it has a firm footing. Ensure cable is not touching any sharp objects and the mains plug connector is adequately protected against rain or moisture. Now your lamp is ready for use.
7. Please pay attention to that do not touch the back of lampbody while working.
8. Luminaires for rough service.
9. Limitation of use indoors or outdoors.

CAUTION: The light source of this luminaire is not replaceable, when the light source reaches its end of life the whole luminaire shall be replaced.



 This marking indicates that this product should not be disposed with other household wastes throughout the EU. To prevent possible harm to the environment or human health from uncontrolled waste disposal, recycle it responsibly to promote the sustainable reuse of material resources. To return your used device,  please use the return and collection systems or contact the retailer where the product was purchased. They can take this product for environmental safe recycling.

Cixi Zhongfa Lamps Co.,Ltd
 No.188,2nd Xingci Road,Economic Development Zone, Cixi City,Ningbo 315336 P.R.China