

PRODUCT DESCRIPTION:

Inspection doors cover the magnetic inspection opening on drywall and other Easy Mag. Simple assembly inspection doors without frames on the walls and ceilings. Installation in a few minutes.

INSTRUCTIONS FOR USE:

Cut a hole in the drywall according in the required size 5 cm less than the cover.

EASY MAG inspection doors overlaid whole hole, and therefore may not be cut at precise angles to the millimeter.

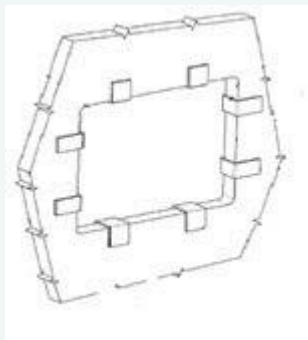
The package can be found by size cover an even number of metal clips with a magnet on each side of the hole.



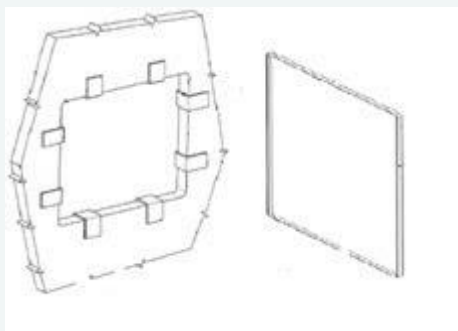
Metal handles bend according to the required thickness drywall or other material.

Only in masonry attach with glue or anchors to the area of the wall on each side of the hole.

Handles must be attached so that the magnets were placed on the outdoor side.



After mounting handles has only aligning housing inspection opening.



On the cover of an inspection opening EASY MAG is always glued protective foil against scratching. After removing the foil can cover paper and wipe any interior or facade paint.

Link to download the application video:

http://www.levior.cz/files/special/cz/EASY_MAG.mp4